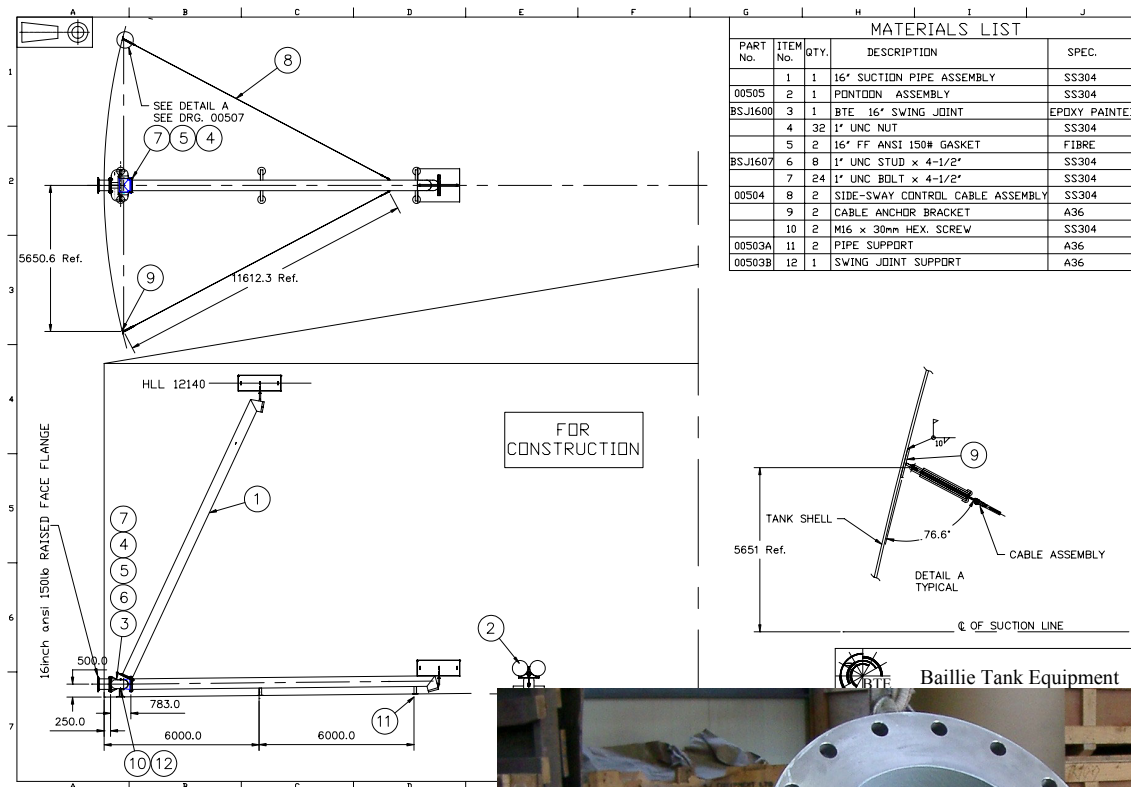


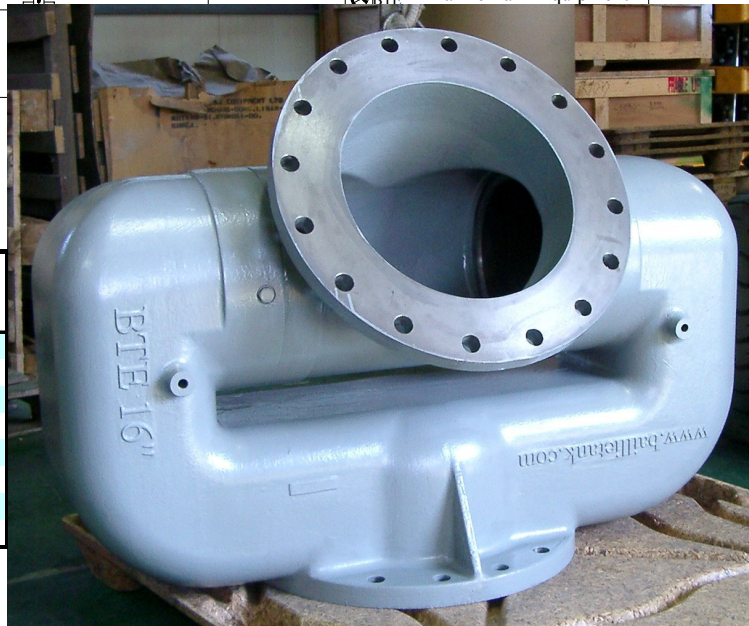
## SwingMaster Swing Joints for Floating Suction Lines

BTE SwingMaster central type swing joints are the ideal choice for floating suction lines. Constructed in rugged cast iron with plain Ni-Resist bearings (copper free). BTE SwingMaster cast iron swing joints are internally & externally epoxy painted for Jet A1 service. SwingMaster joints are available in 8" through to 24" size. Larger sizes available on application. All flanges are ANSI 150# Flat Face.



### 16" SwingMaster ▶

| Size inch | METRIC:                                       | INCH:   |
|-----------|---|---|
|           | minimum opening in tank for SwingMaster entry | minimum opening in tank for SwingMaster entry |
| 8         | 350 x 460 or Ø570                             | 14" x 18" or 23"Ø                             |
| 10        | 420 x 550 or Ø680                             | 16.5" x 21.5" or 27"Ø                         |
| 12        | 490 x 660 or Ø820                             | 19.4" x 26" or 32.5"Ø                         |
| 14        | 540 x 720 or Ø890                             | 21.4" x 28.3" or 35.5"Ø                       |
| 16        | 610 x 790 or Ø990                             | 24" x 32" or 40"Ø                             |
| 18        | 640 x 890 or Ø1090                            | 25.5" x 35" or 43.5"Ø                         |
| 20        | 710 x 950 or Ø1180                            | 28" x 37.5" or 47"Ø                           |
| 24        | 820 x 1100 or Ø1360                           | 33" x 43.5" or 54"Ø                           |

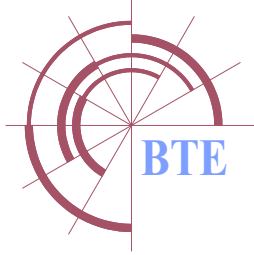


### BTE Tank Products include:

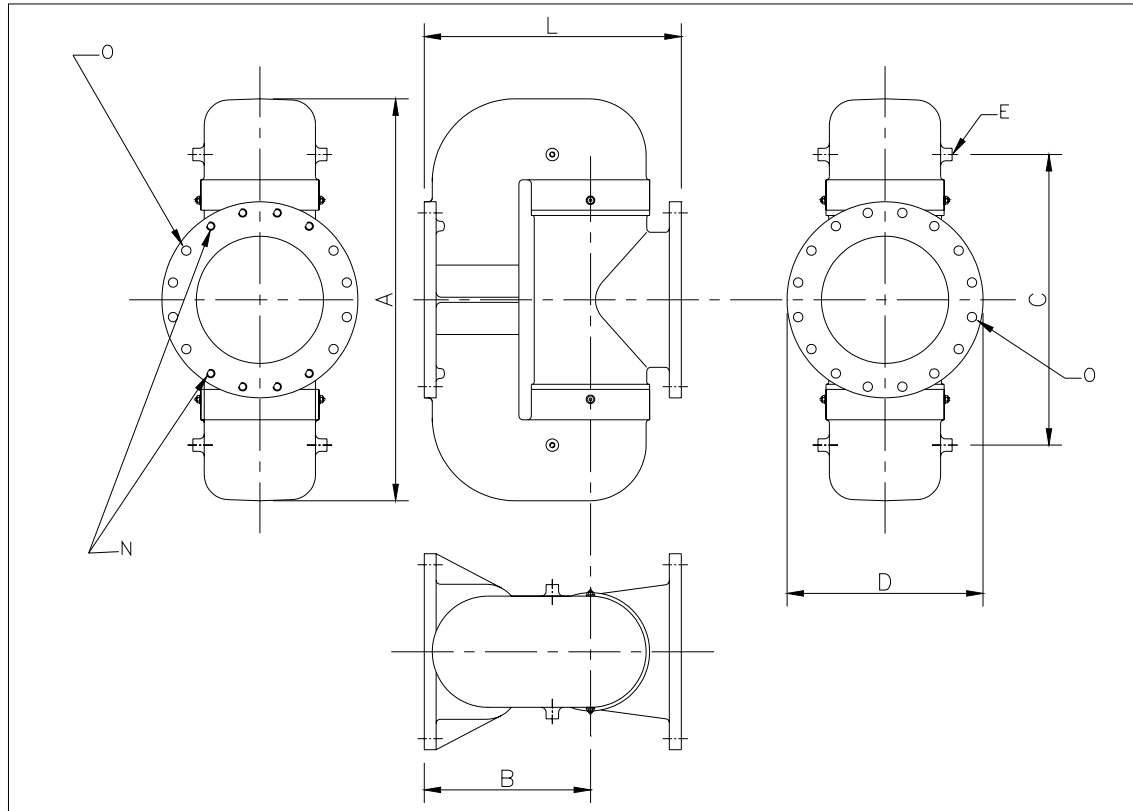
- Aluminium Internal Floating Roofs
- Floating Roof Tank Primary Seals
- Floating Roof Tank Secondary Seals

- Floating Roof Tank Drain Systems
- Floating Roof Tank Fire Foam Systems
- Floating Suction lines & Skimmers





## SwingMaster Swing Joints For Floating Suction Lines



**METRIC:**

| Size<br>inch | DIMENSION mm |     |      |     |      | flange<br>tapped holes | flange<br>drilled holes | flange<br>bolt circle | lug<br>tapped holes | Rotation       | Weight |
|--------------|--------------|-----|------|-----|------|------------------------|-------------------------|-----------------------|---------------------|----------------|--------|
|              | A            | B   | C    | D   | L    | N                      | O mm                    | P.C.D. mm             | E                   | Torque<br>kg-m | kg     |
| 8            | 658          | 281 | 482  | 343 | 449  | 4 x 3/4" UNC           | 4+ 8 x 22.4dia          | 298.45                | 4 x M12             | 5              | 201    |
| 10           | 824          | 338 | 592  | 406 | 538  | 8 x 7/8" UNC           | 4+12 x 25.4dia          | 361.95                | 4 x M16             | 6.1            | 281    |
| 12           | 1007         | 417 | 707  | 483 | 652  | 8 x 7/8" UNC           | 4+12 x 25.4dia          | 431.80                | 4 x M16             | 7.3            | 338    |
| 14           | 1083         | 452 | 779  | 534 | 709  | 8 x 1" UNC             | 4+12 x 28.6dia          | 476.20                | 4 x M16             | 8.5            | 394    |
| 16           | 1224         | 506 | 885  | 597 | 783  | 8 x 1" UNC             | 8+16 x 28.6dia          | 539.70                | 4 x M16             | 9.7            | 450    |
| 18           | 1377         | 570 | 996  | 635 | 881  | 8 x 1 1/8" UNC         | 8+16 x 31.8dia          | 577.90                | 4 x M16             | 10.9           | 506    |
| 20           | 1410         | 614 | 1041 | 699 | 940  | 12 x 1 1/8" UNC        | 8+20 x 31.8dia          | 635.00                | 4 x M20             | 12.1           | 563    |
| 24           | 1714         | 715 | 1229 | 813 | 1090 | 12 x 1 1/4" UNC        | 8+20 x 35.0dia          | 749.30                | 4 x M24             | 14.6           | 675    |

**INCH:**

| Size<br>inch | DIMENSION inch |       |       |      |       | flange<br>tapped holes | flange<br>drilled holes | flange<br>bolt circle | lug<br>tapped holes | Rotation         | Weight |
|--------------|----------------|-------|-------|------|-------|------------------------|-------------------------|-----------------------|---------------------|------------------|--------|
|              | A              | B     | C     | D    | L     | N                      | O inch                  | P.C.D. inch           | E                   | Torque<br>ft-lbf | lb     |
| 8            | 25.9           | 11.06 | 18.98 | 13.5 | 17.68 | 4 x 3/4" UNC           | 4+ 8 x 7/8"dia          | 11.75                 | 4 x M12             | 36               | 442    |
| 10           | 32.4           | 13.31 | 23.31 | 16.0 | 21.18 | 8 x 7/8" UNC           | 4+12 x 1"dia            | 14.25                 | 4 x M16             | 44               | 619    |
| 12           | 39.6           | 16.42 | 27.83 | 19.0 | 25.67 | 8 x 7/8" UNC           | 4+12 x 1"dia            | 17.00                 | 4 x M16             | 52               | 743    |
| 14           | 42.6           | 17.8  | 30.67 | 21.0 | 27.91 | 8 x 1" UNC             | 4+12 x 1 1/8"dia        | 18.75                 | 4 x M16             | 61               | 866    |
| 16           | 48.2           | 19.92 | 34.84 | 23.5 | 30.83 | 8 x 1" UNC             | 8+16 x 1 1/8"dia        | 21.25                 | 4 x M16             | 70               | 990    |
| 18           | 54.2           | 22.44 | 39.21 | 25.0 | 34.69 | 8 x 1 1/8" UNC         | 8+16 x 1 1/4"dia        | 22.75                 | 4 x M20             | 79               | 1114   |
| 20           | 55.5           | 24.17 | 40.98 | 27.5 | 37.01 | 12 x 1 1/8" UNC        | 8+20 x 1 1/4"dia        | 25.00                 | 4 x M20             | 87               | 1238   |
| 24           | 67.5           | 28.15 | 48.39 | 32.0 | 42.91 | 12 x 1 1/4" UNC        | 8+20 x 1 3/8"dia        | 29.50                 | 4 x M24             | 105              | 1485   |

Baillie Tank Equipment  
Sydney, Australia  
Tel: +61 2 9327 5481  
Fax: +61 2 9327 5488  
Sydney@BaillieTank.com

Baillie Tank Equipment  
Seoul, Korea  
Tel: +82 31 949 6854  
Fax: +82 31 949 6866  
Seoul@BaillieTank.com

Baillie Tank Equipment  
Beaumont TX, USA  
Tel: 409 722 6050  
Fax: 409 722 6144  
Beaumont@BaillieTank.com